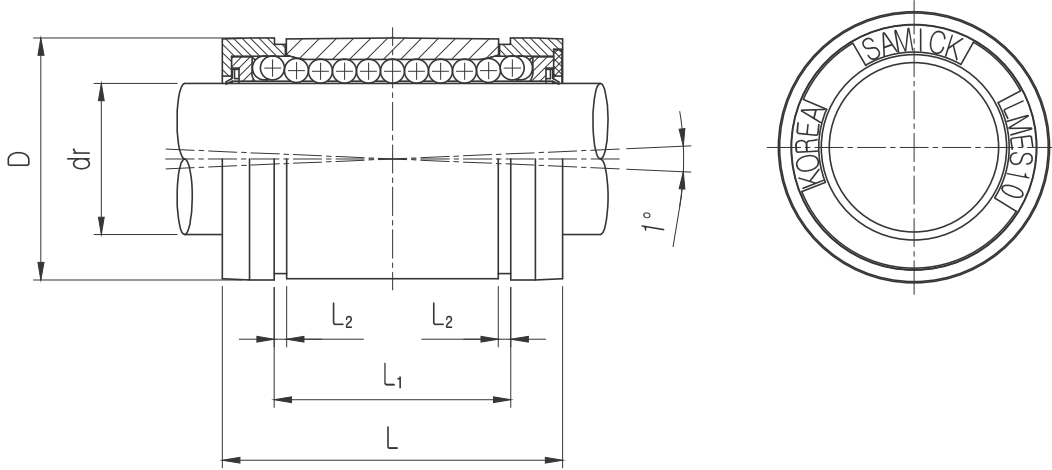


LMES Self-Aligning Linear Bushing

● Drawing



● Part Number Notation

LMES 20 UU - N S



● Self-aligning Linear Bushing(European standard)

● Nominal Shaft Diameter

● Seal

Blank	No Seal
UU	Both Side Seal
U	One Side Seal

● Corrosion resistance type

Blank	Standard(SUJ2)
N	Electroless nickel plating
C	Chrome plating
M ^{*1}	Stainless steel

● Ball type (material)

Blank	High carbon bearing steel ball(Standard)
S	Stainless steel ball

★1 LMES 10-12 Only



LMES Self-Aligning Linear Bushing

PART NUMBER	WORKING dr.		D ^{*1} mm	L ±0.2	L ₁ ±0.2	L ₂ min	BASIC LOAD RATING(N)		NO. OF BALL CIRCUIT	WEIGHT (gf)
	dr. (mm)	BORE DIAMETER CLEARANCE					DYNAMIC (C) ^{*2}	STATIC (C ₀)		
LMES10UU	10	+0.008 0	19	29	21.7	1.35	750	550	5	17
LMES12UU	12		22	32	22.7	1.35	1230	1100	5	23
LMES16UU	16	+0.009 +0.001	26	36	24.7	1.35	1550	1250	5	28
LMES20UU	20		32	45	31.3	1.65	2580	1670	6	61
LMES25UU	25	+0.011 +0.001	40	58	43.8	1.90	3800	2750	6	122
LMES30UU	30		47	68	51.8	1.90	4710	2800	6	185
LMES40UU	40	+0.013 +0.002	62	80	60.4	2.20	6500	5720	6	360
LMES50UU	50		75	100	77.4	2.70	11460	7940	6	580

★1 Based on nominal housing bore

★2 Dynamic load rating is based on the nominal life of 50km. In case of 100km, C on the table need to be divide by 1.26

Ex) 50km basis dynamic load rating of LMES12 C= 1230N

100km basis dynamic load rating of LMES12 C₁₀₀ = 1230 / 1.26 =976.20N

★3 Main unit : mm

★4 LMES10, LMES12 only with stainless steel ball plate

★5 1N ≈0.102kgf

